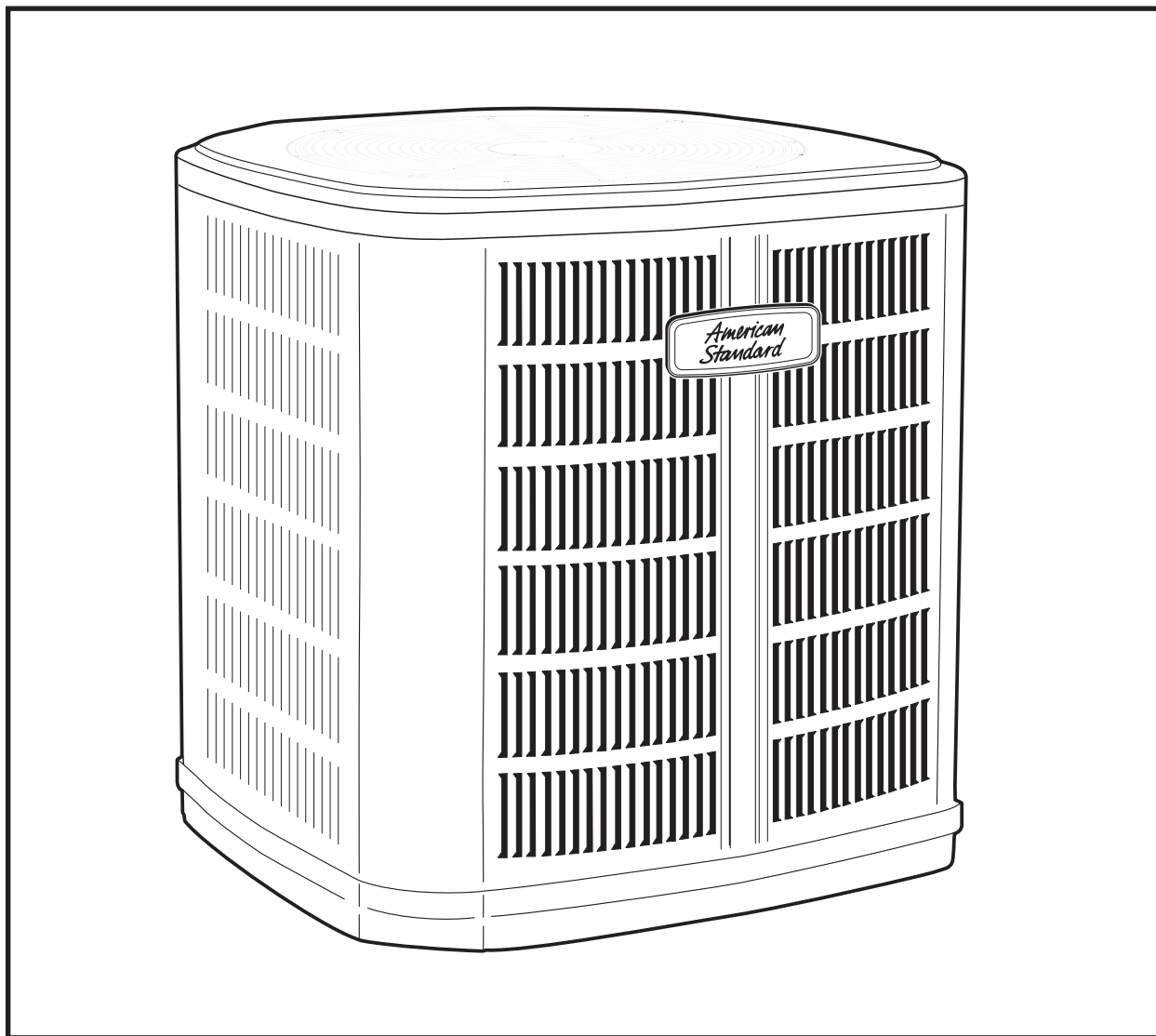


*American Standard*  
HEATING & AIR CONDITIONING

SPLIT SYSTEM HEAT PUMP  
1 1/2 – 5 TON



**HERITAGE® 15**  
**MODELS 4A6H5018-60E**

## Features and Benefits

---

- **DURATION™** compressor
- Efficiency up to **17.0 SEER** and **9.0 HSPF**
- All aluminum **SPINE FIN™** coil
- **WEATHERGUARD™** fasteners
- **EASY-SESS™** cabinet, service access and refrigerant connections with full coil protection
- **DURABASE™** base, fast complete drain, weatherproof
- **COMFORT-R™** mode approved
- Glossy corrosion resistant finish
- Internal compressor high/low pressure & temperature protection
- 018, 024, 030 & 060 ship with start kit
- Compressor Sump Heat
- Liquid line filter/drier
- Spinnaker gray cabinet with high contrast badge and cap
- High pressure switch
- Demand Defrost with Diagnostics
- Service valve cover
- R-410A refrigerant
- S.E.E.T. design testing
- 100% line run test
- Low ambient cooling to 20°F with AY28X084
- Low ambient cooling to 55°F as shipped
- **Extended warranties available**

# Contents

---

<b>Features and Benefits</b>	<b>2</b>
<b>General Data</b>	<b>4</b>
Product Specifications	4
A-weighted Sound Power Level [dB(A)]	4
Accessory Description and Usage	6
ARI Standard Capacity Rating Conditions	6
<b>Model Nomenclature</b>	<b>7</b>
<b>Electrical Data</b>	<b>8</b>
<b>Dimensions</b>	<b>13</b>
<b>Mechanical Specification Options</b>	<b>14</b>

# General Data

## Product Specifications

Model No. ①	4A6H5018E1	4A6H5024E1	4A6H5030E1	4A6H5036E1
Electrical Data V/Ph/Hz ②	208/230/1/60	208/230/1/60	208/230/1/60	208/230/1/60
Min Cir Ampacity	10	12	15	20
Max Fuse Size (Amps)	15	20	25	35
Compressors	DURATION™	DURATION™	DURATION™	DURATION™ · SCROLL
RL AMPS - LR AMPS	7.3 - 38.6	9.5 - 57.8	11.1 - 63	15.4 - 83
Outdoor Fan FL Amps	.70	.70	.70	1.00
Fan HP	1/8	1/8	1/8	1/5
Fan Dia (inches)	27.6	27.6	27.6	27.6
Coil	Spine Fin™	Spine Fin™	Spine Fin™	Spine Fin™
Refrigerant R-410A	7/5-LB/OZ	7/5-LB/OZ	9/3-LB/OZ	9/3-LB/OZ
Line Size - (in.) O.D. Gas ③	1/2	3/4	3/4	3/4
Line Size - (in.) O.D. Liquid ③	3/8	3/8	3/8	3/8
Dimensions H x W x D (Crated)	38.4 x 35.1 x 38.7	38.4 x 35.1 x 38.7	38.4 x 35.1 x 38.7	46.4 x 35.1 x 38.7
Weight - Shipping	252	255	281	283
Weight - Net	219	222	245	247
Start Components	YES	YES	YES	NO
Sound Enclosure	YES	YES	YES	YES
Compressor Sump Heat	YES	YES	YES	YES
<b>Optional Accessories: ④</b>				
Anti-short Cycle Timer	TAYASCT501A	TAYASCT501A	TAYASCT501A	TAYASCT501A
Evaporator Defrost Control A/C	AY28X084	AY28X084	AY28X084	AY28X084
Rubber Isolator Kit	BAYISLT101	BAYISLT101	BAYISLT101	BAYISLT101
Crank Case Heater Kit	BAYCCHT300	BAYCCHT300	BAYCCHT300	BAYCCHT302
Hard Start Kit Scroll				BAYKSKT260
Extreme Condition Mounting Kit	BAYECMT004	BAYECMT004	BAYECMT004	BAYECMT004
Snow Leg - Base & Cap 4" High	BAYLEGS002	BAYLEGS002	BAYLEGS002	BAYLEGS002
Snow Leg - 4" Extension	BAYLEGS003	BAYLEGS003	BAYLEGS003	BAYLEGS003
Seacoast Kit	BAYSEAC001	BAYSEAC001	BAYSEAC001	BAYSEAC001
Refrigerant Lineset ⑤	TAYREFLN850	TAYREFLN7*	TAYREFLN7*	TAYREFLN7*

① Certified in accordance with the Air-Source Unitary Heat Pump Equipment certification program which is based on ARI Standard 210/240.

② Calculated in accordance with N.E.C. Only use HACR circuit breakers or fuses.

③ Standard line lengths - 80'. Standard lift - 60' Suction and Liquid line.

For Greater lengths and lifts refer to refrigerant piping software Pub# 32-3312-0\*. (\*denotes latest revision)

④ For accessory description and usage, see page 5.

⑤ \* = 15, 20, 25, 30, 40 and 50 foot lineset available.

## A-weighted Sound Power Level [dB(A)]

MODEL	SOUND POWER LEVEL [dB(A)]	A-WEIGHTED FULL OCTAVE SOUND POWER LEVEL dB - [dB(A)] High Stage							
		63	125	250	500	1000	2000	4000	8000
4A6H5018E1	76	52.3	57.8	62.4	67.2	69.4	67.2	59.6	52.5
4A6H5024E1	76	50.3	55	58.6	65.3	69.5	64.5	58.6	50.8
4A6H5030E1	78	48.8	55.4	60.1	66.4	67.4	63.9	60.2	53.5
4A6H5036E1	76	54.5	55.1	58.3	67	69.8	65.9	59.7	49.1
4A6H5042E1	77	55.1	52	59.3	64.9	67.2	63.5	60.4	47.6
4A6H5048E1	77	55.6	53.3	59.2	66.7	71.7	67.9	60.7	51.3
4A6H5060E1	77	55.1	53.7	61.1	69.2	73.6	68.7	61.4	50

Note: Tested in accordance with ARI Standard 270.95. (Not listed with ARI)

# General Data

## Product Specifications

Model No. ①	4A6H5042E1	4A6H5048E1	4A6H5060E1
Electrical Data V/Ph/Hz ②	208/230/1/60	208/230/1/60	208/230/1/60
Min Cir Ampacity	27	29	35
Max Fuse Size (Amps)	45	50	60
Compressors	DURATION™ · SCROLL	DURATION™ · SCROLL	DURATION™ · SCROLL
RL AMPS - LR AMPS	19.9 - 109	21.8 - 117	26.4 - 134
Outdoor Fan FL Amps	1.00	1.00	1.00
Fan HP	1/5	1/5	1/5
Fan Dia (inches)	27.6	27.6	27.6
Coil	Spine Fin™	Spine Fin™	Spine Fin™
Refrigerant R-410A	12/1-LB/OZ	13/9-LB/OZ	12/1-LB/OZ
Line Size - (in.) O.D. Gas ③	3/4	7/8	7/8
Line Size - (in.) O.D. Liquid ③	3/8	3/8	3/8
Dimensions H x W x D (Crated)	46.4 x 35.1 x 38.7	51 x 35.1 x 38.7	51 x 35.1 x 38.7
Weight - Shipping	313	331	332
Weight - Net	277	294	295
Start Components	NO	NO	YES
Sound Enclosure	YES	YES	YES
Compressor Sump Heat	YES	YES	YES
<b>Optional Accessories: ④</b>			
Anti-short Cycle Timer	TAYASCT501A	TAYASCT501A	TAYASCT501A
Evaporator Defrost Control A/C	AY28X084	AY28X084	AY28X084
Rubber Isolator Kit	BAYISLT101	BAYISLT101	BAYISLT101
Crank Case Heater Kit	BAYCCHT301	BAYCCHT301	BAYCCHT301
Hard Start Kit Scroll	BAYKSKT260	BAYKSKT260	
Extreme Condition Mounting Kit	BAYECMT004	BAYECMT004	BAYECMT004
Snow Leg - Base & Cap 4" High	BAYLEGS002	BAYLEGS002	BAYLEGS002
Snow Leg - 4" Extension	BAYLEGS003	BAYLEGS003	BAYLEGS003
Seacoast Kit	BAYSEAC001	BAYSEAC001	BAYSEAC001
Refrigerant Lineset ⑤	TAYREFLN7*	TAYREFLN3*	TAYREFLN3*

① Certified in accordance with the Air-Source Unitary Heat Pump Equipment certification program which is based on ARI Standard 210/240.

② Calculated in accordance with N.E.C. Only use HACR circuit breakers or fuses.

③ Standard line lengths - 80'. Standard lift - 60' Suction and Liquid line.

For Greater lengths and lifts refer to refrigerant piping software Pub# 32-3312-01. (\*denotes latest revision)

④ For accessory description and usage, see page 5.

⑤ \* = 15, 20, 25, 30, 40 and 50 foot lineset available.

# General Data

---

## Accessory Description and Usage

**Anti-Short Cycle Timer** — Solid state timing device that prevents compressor recycling until 5 minutes have elapsed after satisfying call or power interruptions. Use in area with questionable power delivery, commercial applications, long lineset, etc.

**Evaporator Defrost Control** — SPST Temperature actuated switch that cycles the condenser off as indoor coil reaches freeze-up conditions. Used for low ambient cooling to 30°F with TXV.

**Rubber Isolators** — 5 large rubber donuts to isolate condensing unit from transmitting energy into mounting frame or pad. Use on any application where sound transmission needs to be minimized.

**Hard Start kit** — Start capacitor and relay to assist compressor motor startup. Use in areas with marginal power supply, on long linesets, low ambient conditions, etc.

**Extreme Condition Mount Kit** — Bracket kits to securely mount condensing unit to a frame or pad without removing any panels. Use in areas with high winds, or on commercial roof tops, etc.

## ARI Standard Capacity Rating Conditions

**ARI STANDARD 210/240 RATING CONDITIONS** —  
(A) Cooling 80°F DB, 67°F WB air entering indoor coil,  
95°F DB air entering outdoor coil.

**ARI STANDARD 270 RATING CONDITIONS** — (Noise rating numbers are determined with the unit in cooling operation.) Standard Noise Rating number is at 95°F outdoor air.

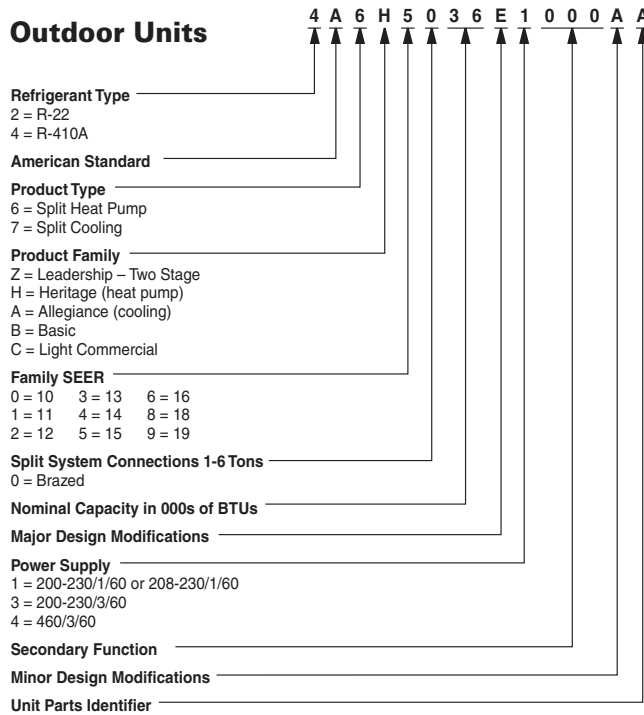


ARI Standard  
210/240 UHP

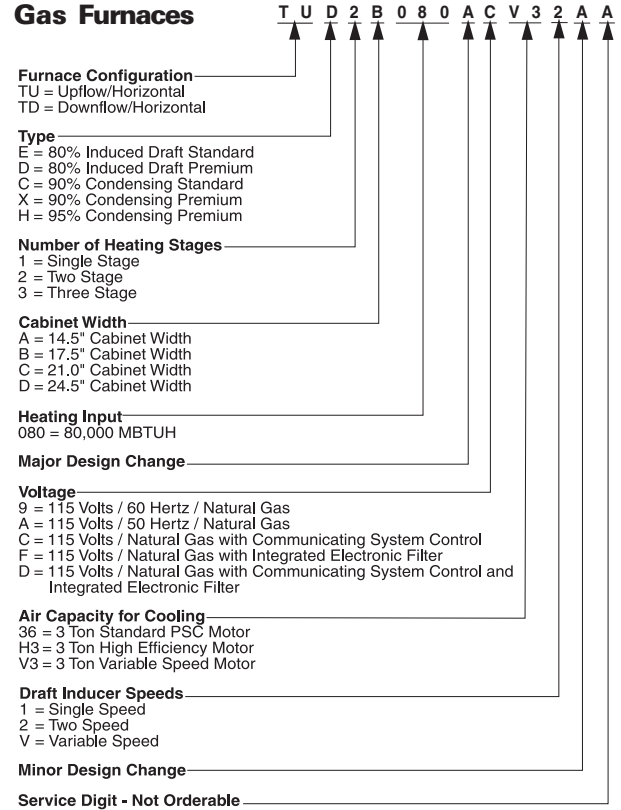


# Model Nomenclature

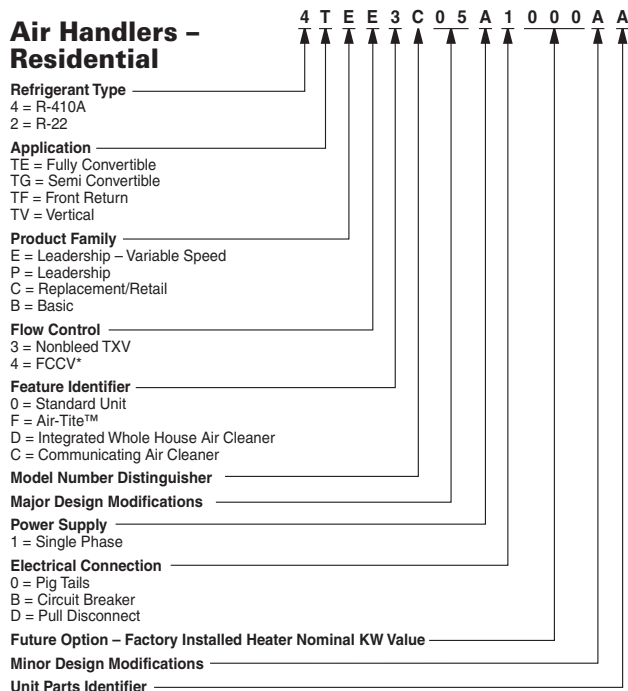
## Outdoor Units



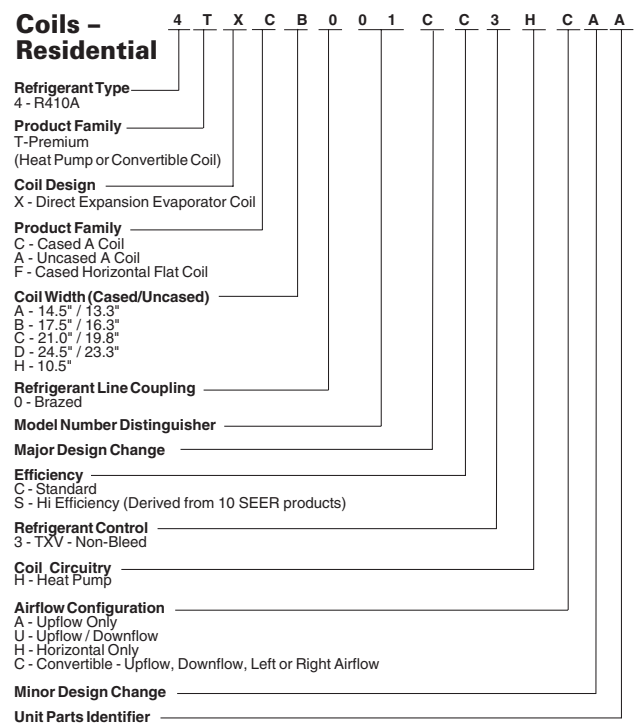
## Gas Furnaces



## Air Handlers – Residential



## Coils – Residential

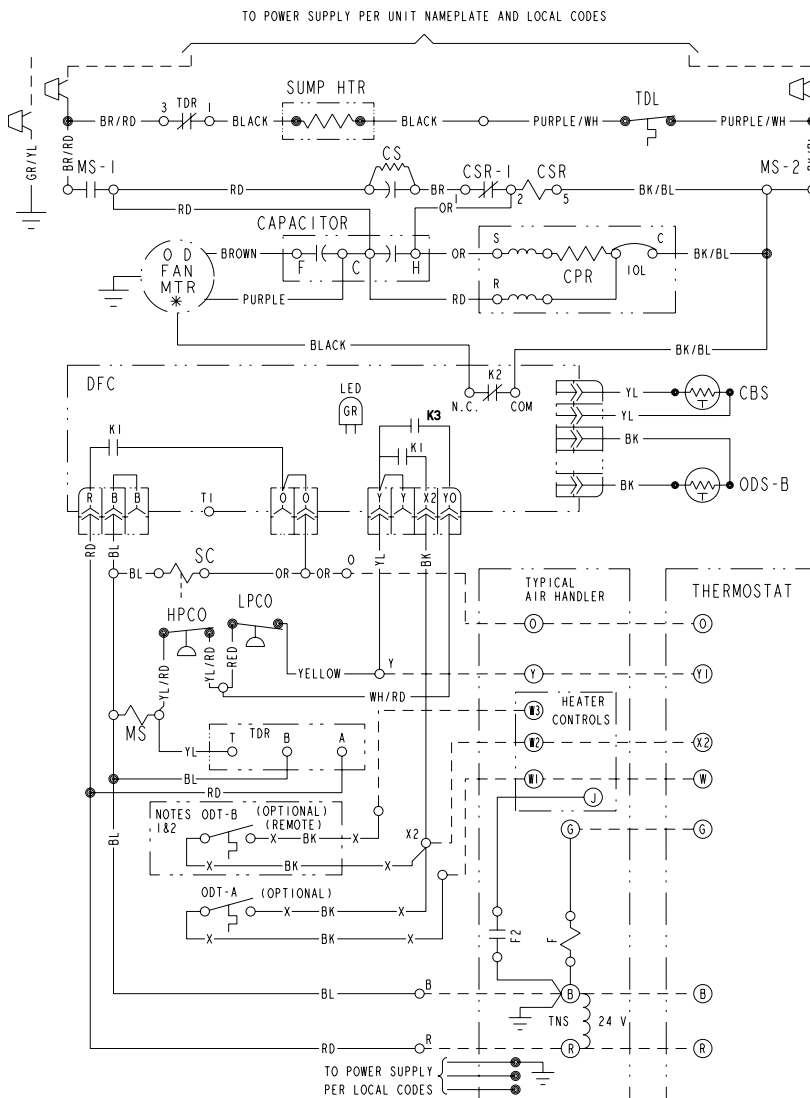


NOTE: There will be a phase-in of new model numbers for new air handlers over next 2 years.  
\*Shipped with R-22 FCCV

# Electrical Data

## Schematic Diagrams

### 4A6H5018, 4A6H5024, 4A6H5030



CA	COOLING ANTICIPATOR	LPCO	LOW PRESSURE CUTOFF SW.
CBS	COIL BOTTOM SENSOR	MS	COMPRESSOR MOTOR CONTACTOR
CF	FAN CAPACITOR	ODA	OUTDOOR ANTICIPATOR
CN	WIRE CONNECTOR	OFT	OUTDOOR FAN THERMOSTAT
CPR	COMPRESSOR	ODS	OUTDOOR TEMPERATURE SENSOR
CR	RUN CAPACITOR	ODT	OUTDOOR THERMOSTAT
CS	STARTING CAPACITOR	RHS	RESISTANCE HEAT SWITCH
CSR	CAPACITOR SWITCHING RELAY	SC	SWITCHOVER VALVE SOLENOID
DFC	DEFROST CONTROL	SM	SYSTEM "ON-OFF" SWITCH
F	INDOOR FAN RELAY	TDL	DISCHARGE LINE THERMOSTAT
HA	HEATING ANTICIPATOR	TNS	TRANSFORMER
HPCO	HIGH PRESSURE CUTOFF SW.	TS	HEATING-COOLING THERMOSTAT
IOL	INTERNAL OVERLOAD PROTECTOR	TSH	HEATING THERMOSTAT
		TDR	TIME DELAY RELAY

<p><b>⚠ WARNING</b> HAZARDOUS VOLTAGE! DISCONNECT ALL ELECTRIC POWER INCLUDING REMOTE DISCONNECTS BEFORE SERVICING. FAILURE TO DISCONNECT POWER BEFORE SERVICING CAN CAUSE SEVERE PERSONAL INJURY OR DEATH!</p>	<p><b>⚠ CAUTION</b> USE COPPER CONDUCTORS ONLY! UNIT TERMINALS ARE NOT DESIGNED TO ACCEPT OTHER TYPES OF CONDUCTORS. FAILURE TO DO SO MAY CAUSE DAMAGE TO THE EQUIPMENT!</p>
---	--

COLOR OF WIRE  
 BK/BL BLACK WIRE WITH BLUE MARKER  
 COLOR OF MARKER  
 BK BLACK OR ORANGE YL YELLOW  
 BL BLUE RD RED GR GREEN  
 BR BROWN WH WHITE PR PURPLE

- NOTES:
- IF ODT-B IS NOT USED, ADD JUMPER BETWEEN W2 & W3 AT AIR HANDLER.  
IF USED, ODT-B MUST BE MOUNTED REMOTE OF CONTROL BOX IN AN APPROVED WEATHER PROOF ENCLOSURE.
  - IF ODT-A IS NOT USED, ADD JUMPER BETWEEN W1 & W2 AT AIR HANDLER.
  - LOW VOLTAGE (24 V.) FIELD WIRING MUST BE 18 AWG MIN.

FOR CANADIAN INSTALLATIONS  
 POUR INSTALLATIONS CANADIENNES  
**CAUTION: NOT SUITABLE FOR USE ON SYSTEMS EXCEEDING 150V-TO-GROUND.**  
**ATTENTION: NE CONVIENT PAS AUX INSTALLATIONS DE PLUS DE 150 V A LA TERRE.**

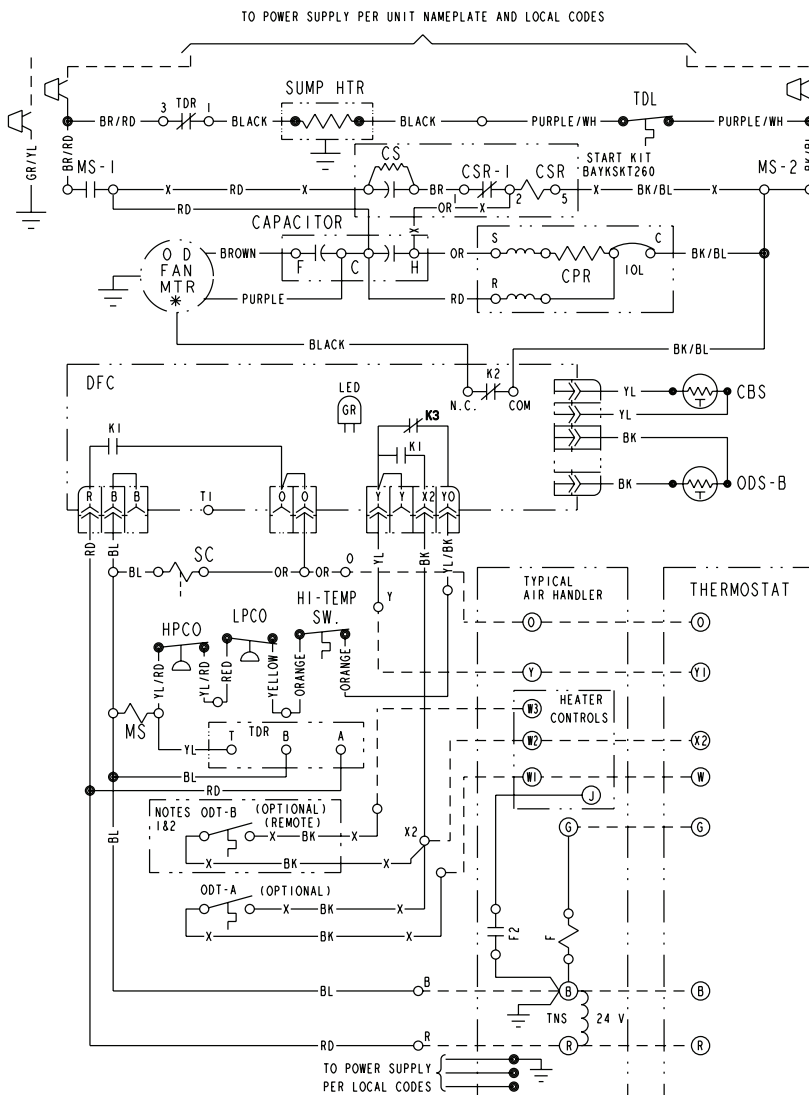
TDR relay cycles sump heat off during compressor operation and delays energizing the sump heat for 30 mins after "Y" call is removed.



# Electrical Data

## Schematic Diagrams

### 4A6H5036



CA	COOLING ANTICIPATOR	LPCO	LOW PRESSURE CUTOFF SW.
CBS	COIL BOTTOM SENSOR	MS	COMPRESSOR MOTOR CONTACTOR
CF	FAN CAPACITOR	ODA	OUTDOOR ANTICIPATOR
CN	WIRE CONNECTOR	OFT	OUTDOOR FAN THERMOSTAT
CPR	COMPRESSOR	ODS	OUTDOOR TEMPERATURE SENSOR
CR	RUN CAPACITOR	ODT	OUTDOOR THERMOSTAT
CS	STARTING CAPACITOR	RHS	RESISTANCE HEAT SWITCH
CSR	CAPACITOR SWITCHING RELAY	SC	SWITCHOVER VALVE SOLENOID
DFC	DEFROST CONTROL	SM	SYSTEM "ON-OFF" SWITCH
F	INDOOR FAN RELAY	TDL	DISCHARGE LINE THERMOSTAT
HA	HEATING ANTICIPATOR	TNS	TRANSFORMER
HPCO	HIGH PRESSURE CUTOFF SW.	TS	HEATING-COOLING THERMOSTAT
IOL	INTERNAL OVERLOAD PROTECTOR	TSH	HEATING THERMOSTAT
		TDR	TIME DELAY RELAY

<p><b>⚠ WARNING</b> HAZARDOUS VOLTAGE! DISCONNECT ALL ELECTRIC POWER INCLUDING REMOTE DISCONNECTS BEFORE SERVICING. FAILURE TO DISCONNECT POWER BEFORE SERVICING CAN CAUSE SEVERE PERSONAL INJURY OR DEATH!</p>	<p><b>⚠ CAUTION</b> USE COPPER CONDUCTORS ONLY! UNIT TERMINALS ARE NOT DESIGNED TO ACCEPT OTHER TYPES OF CONDUCTORS. FAILURE TO DO SO MAY CAUSE DAMAGE TO THE EQUIPMENT!</p>
---	--

COLOR OF WIRE  
 BK/BL BLACK WIRE WITH BLUE MARKER  
 COLOR OF MARKER  
 BK BLACK OR ORANGE YL YELLOW  
 BL BLUE RD RED GR GREEN  
 BR BROWN WH WHITE PR PURPLE

**NOTES:**

- IF ODT-B IS NOT USED, ADD JUMPER BETWEEN W2 & W3 AT AIR HANDLER. IF USED, ODT-B MUST BE MOUNTED REMOTE OF CONTROL BOX IN AN APPROVED WEATHER PROOF ENCLOSURE.
- IF ODT-A IS NOT USED, ADD JUMPER BETWEEN W1 & W2 AT AIR HANDLER.
- LOW VOLTAGE (24 V.) FIELD WIRING MUST BE 18 AWG MIN.

FOR CANADIAN INSTALLATIONS  
POUR INSTALLATIONS CANADIENNES

**CAUTION: NOT SUITABLE FOR USE ON SYSTEMS EXCEEDING 150V-TO-GROUND. ATTENTION: NE CONVIENT PAS AUX INSTALLATIONS DE PLUS DE 150 V A LA TERRE.**

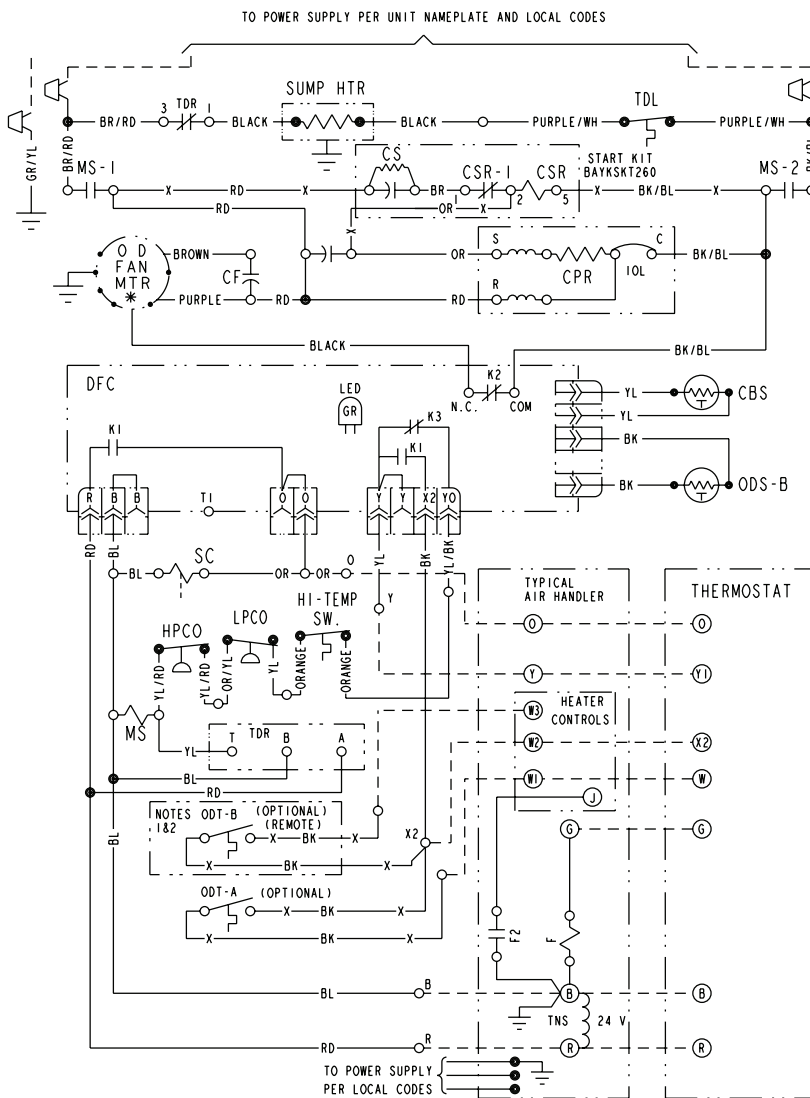
**TDR relay cycles sump heat off during compressor operation and delays energizing the sump heat for 30 mins after "Y" call is removed.**



# Electrical Data

## Schematic Diagrams

### 4A6H5048



CA	COOLING ANTICIPATOR	LPCO	LOW PRESSURE CUTOFF SW.
CBS	COIL BOTTOM SENSOR	MS	COMPRESSOR MOTOR CONTACTOR
CF	FAN CAPACITOR	ODA	OUTDOOR ANTICIPATOR
CN	WIRE CONNECTOR	OFT	OUTDOOR FAN THERMOSTAT
CPR	COMPRESSOR	ODS	OUTDOOR TEMPERATURE SENSOR
CR	RUN CAPACITOR	ODT	OUTDOOR THERMOSTAT
CS	STARTING CAPACITOR	RHS	RESISTANCE HEAT SWITCH
CSR	CAPACITOR SWITCHING RELAY	SC	SWITCHOVER VALVE SOLENOID
DFC	DEFROST CONTROL	SM	SYSTEM "ON-OFF" SWITCH
F	INDOOR FAN RELAY	TDL	DISCHARGE LINE THERMOSTAT
HA	HEATING ANTICIPATOR	TNS	TRANSFORMER
HPCO	HIGH PRESSURE CUTOFF SW.	TS	HEATING-COOLING THERMOSTAT
IOL	INTERNAL OVERLOAD PROTECTOR	TSH	HEATING THERMOSTAT
		TDR	TIME DELAY RELAY

<p><b>⚠ WARNING</b> HAZARDOUS VOLTAGE! DISCONNECT ALL ELECTRIC POWER INCLUDING REMOTE DISCONNECTS BEFORE SERVICING. FAILURE TO DISCONNECT POWER BEFORE SERVICING CAN CAUSE SEVERE PERSONAL INJURY OR DEATH!</p>	<p><b>⚠ CAUTION</b> USE COPPER CONDUCTORS ONLY! UNIT TERMINALS ARE NOT DESIGNED TO ACCEPT OTHER TYPES OF CONDUCTORS. FAILURE TO DO SO MAY CAUSE DAMAGE TO THE EQUIPMENT!</p>
---	--

COLOR OF WIRE			
BK/BL	BLACK WIRE WITH BLUE MARKER		
COLOR OF MARKER			
BK	BLACK	OR	ORANGE
BL	BLUE	RD	RED
BR	BROWN	WH	WHITE
		GR	GREEN
		PR	PURPLE

**NOTES:**

1. IF ODT-B IS NOT USED, ADD JUMPER BETWEEN W2 & W3 AT AIR HANDLER.  
IF USED, ODT-B MUST BE MOUNTED REMOTE OF CONTROL BOX IN AN APPROVED WEATHER PROOF ENCLOSURE.
2. IF ODT-A IS NOT USED, ADD JUMPER BETWEEN W1 & W2 AT AIR HANDLER.
3. LOW VOLTAGE (24 V.) FIELD WIRING MUST BE 18 AWG MIN.

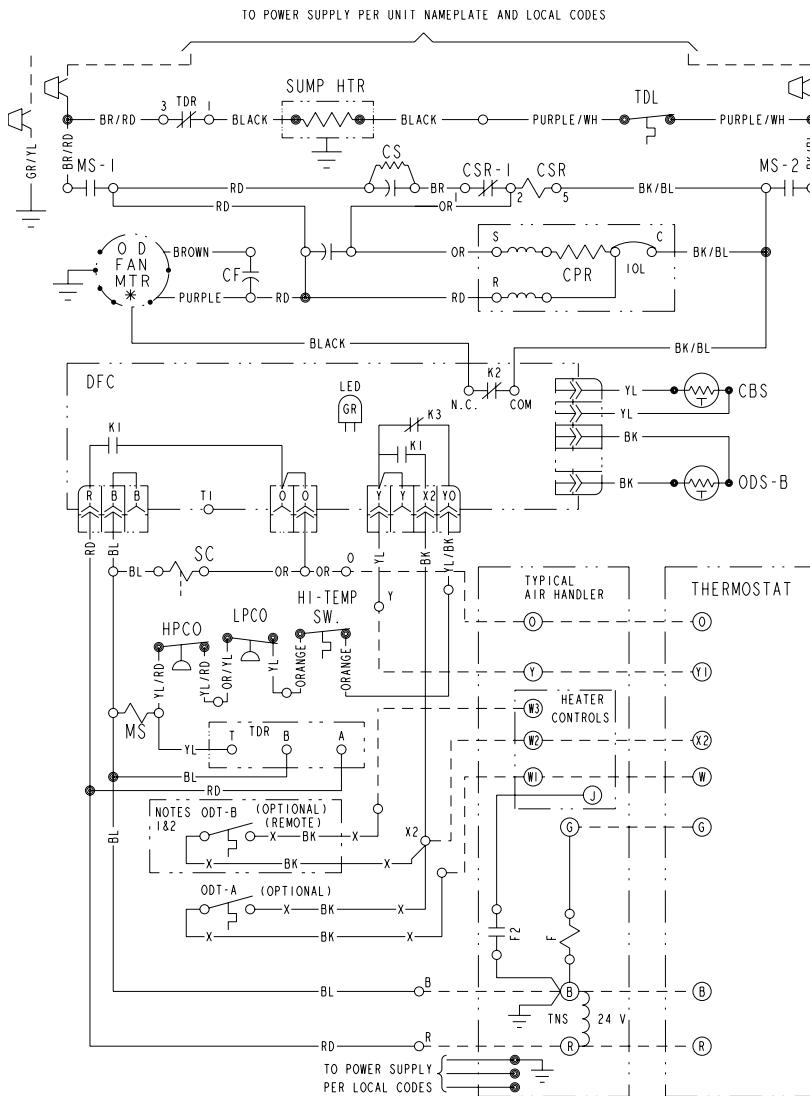
FOR CANADIAN INSTALLATIONS  
POUR INSTALLATIONS CANADIENNES  
**CAUTION:** NOT SUITABLE FOR USE ON SYSTEMS EXCEEDING 150V-TO-GROUND.  
**ATTENTION:** NE CONVIENT PAS AUX INSTALLATIONS DE PLUS DE 150 V A LA TERRE.

TDR relay cycles sump heat off during compressor operation and delays energizing the sump heat for 30 mins after "Y" call is removed.

# Electrical Data

## Schematic Diagrams

### 4A6H5060



CA	COOLING ANTICIPATOR	LPCO	LOW PRESSURE CUTOUT SW.
CBS	COIL BOTTOM SENSOR	MS	COMPRESSOR MOTOR CONTACTOR
CF	FAN CAPACITOR	ODA	OUTDOOR ANTICIPATOR
CN	WIRE CONNECTOR	OFT	OUTDOOR FAN THERMOSTAT
CPR	COMPRESSOR	ODS	OUTDOOR TEMPERATURE SENSOR
CR	RUN CAPACITOR	ODT	OUTDOOR THERMOSTAT
CS	STARTING CAPACITOR	RHS	RESISTANCE HEAT SWITCH
CSR	CAPACITOR SWITCHING RELAY	SC	SWITCHOVER VALVE SOLENOID
DFC	DEFROST CONTROL	SM	SYSTEM "ON-OFF" SWITCH
F	INDOOR FAN RELAY	TDL	DISCHARGE LINE THERMOSTAT
HA	HEATING ANTICIPATOR	TNS	TRANSFORMER
HPCO	HIGH PRESSURE CUTOUT SW.	TS	HEATING-COOLING THERMOSTAT
IOL	INTERNAL OVERLOAD PROTECTOR	TSH	HEATING THERMOSTAT
		TDR	TIME DELAY RELAY

<p><b>⚠ WARNING</b> HAZARDOUS VOLTAGE! DISCONNECT ALL ELECTRIC POWER INCLUDING REMOTE DISCONNECTS BEFORE SERVICING. FAILURE TO DISCONNECT POWER BEFORE SERVICING CAN CAUSE SEVERE PERSONAL INJURY OR DEATH!</p>	<p><b>⚠ CAUTION</b> USE COPPER CONDUCTORS ONLY! UNIT TERMINALS ARE NOT DESIGNED TO ACCEPT OTHER TYPES OF CONDUCTORS. FAILURE TO DO SO MAY CAUSE DAMAGE TO THE EQUIPMENT!</p>
---	--

COLOR OF WIRE  
 BK/BL BLACK WIRE WITH BLUE MARKER  
 COLOR OF MARKER  
 BK BLACK OR ORANGE YL YELLOW  
 BL BLUE RD RED GR GREEN  
 BR BROWN WH WHITE PR PURPLE

**NOTES:**

- IF ODT-B IS NOT USED, ADD JUMPER BETWEEN W2 & W3 AT AIR HANDLER. IF USED, ODT-B MUST BE MOUNTED REMOTE OF CONTROL BOX IN AN APPROVED WEATHER PROOF ENCLOSURE.
- IF ODT-A IS NOT USED, ADD JUMPER BETWEEN W1 & W2 AT AIR HANDLER.
- LOW VOLTAGE (24 V.) FIELD WIRING MUST BE 18 AWG MIN.

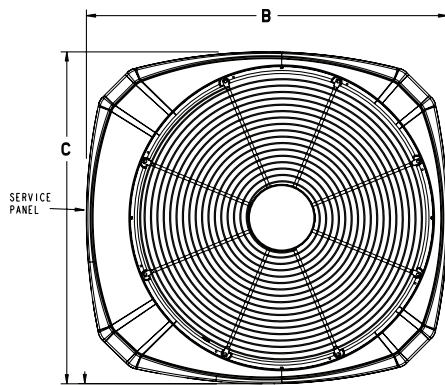
FOR CANADIAN INSTALLATIONS  
 POUR INSTALLATIONS CANADIENNES  
**CAUTION:** NOT SUITABLE FOR USE ON SYSTEMS EXCEEDING 150V-TO-GROUND.  
**ATTENTION:** NE CONVIENT PAS AUX INSTALLATIONS DE PLUS DE 150 V A LA TERRE.

TDR relay cycles sump heat off during compressor operation and delays energizing the sump heat for 30 mins after "Y" call is removed.

# Dimensions

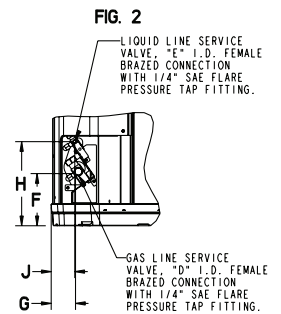
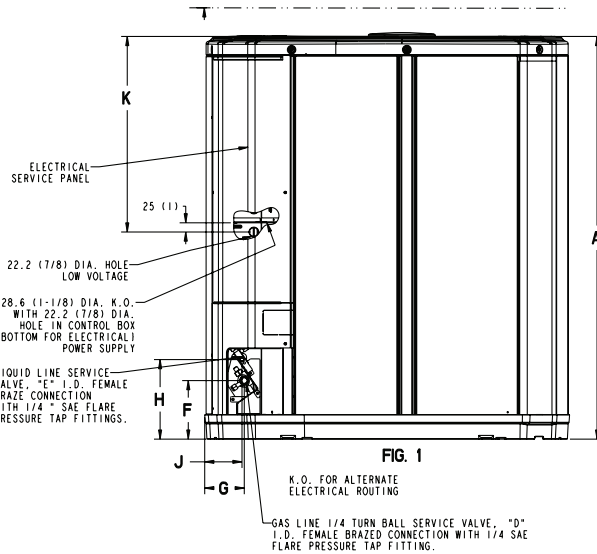
## 4A6H5 Outline Drawing

Note: All dimensions are in MM (Inches).



ELECTRICAL AND REFRIGERANT COMPONENT CLEARANCES PER PREVAILING CODES.

TOP DISCHARGE AREA SHOULD BE UNRESTRICTED FOR AT LEAST 1524 (5 FEET) ABOVE UNIT. UNIT SHOULD BE PLACED SO ROOF RUN-OFF WATER DOES NOT POUR DIRECTLY ON UNIT, AND SHOULD BE AT LEAST 305 (12") FROM WALL ON ALL SURROUNDING SHRUBBERY ON TWO SIDES, OTHER TWO SIDES UNRESTRICTED.



MODELS	BASE	A	B	C	D	E	F	G	H	J	K
4A6H5018E	4	841 (33-1/8)	946 (37-1/4)	870 (34-1/4)	1/2	3/8	152 (6)	98 (3-7/8)	219 (8-5/8)	86 (3-3/8)	508 (20)
4A6H5024E	4	841 (33-1/8)	946 (37-1/4)	870 (34-1/4)	5/8	3/8	152 (6)	98 (3-7/8)	219 (8-5/8)	86 (3-3/8)	508 (20)
4A6H5030E	4	1045 (41 1/8)	946 (37-1/4)	870 (34-1/4)	3/4	3/8	152 (6)	98 (3-7/8)	219 (8-5/8)	86 (3-3/8)	508 (20)
4A6H5036E	4	1045 (41 1/8)	946 (37-1/4)	870 (34-1/4)	3/4	3/8	152 (6)	98 (3-7/8)	219 (8-5/8)	86 (3-3/8)	508 (20)
4A6H5042E	4	1045 (41 1/8)	946 (37-1/4)	870 (34-1/4)	3/4	3/8	152 (6)	98 (3-7/8)	219 (8-5/8)	86 (3-3/8)	508 (20)
4A6H5048E	4	1147 (45 1/8)	946 (37-1/4)	870 (34-1/4)	7/8	3/8	152 (6)	98 (3-7/8)	219 (8-5/8)	86 (3-3/8)	508 (20)
4A6H5060E	4	1147 (45 1/8)	946 (37-1/4)	870 (34-1/4)	7/8	3/8	152 (6)	98 (3-7/8)	219 (8-5/8)	86 (3-3/8)	508 (20)

From Dwg. D152862

# Mechanical Specification Options

## General

The 4A6H5 is fully charged from the factory for up to 15 feet of piping. This unit is designed to operate at outdoor ambient temperatures as high as 115°F. Cooling capacities are matched with a wide selection of air handlers and furnace coils that are A.R.I. certified. The unit is certified to UL 1995. Exterior is designed for outdoor application.

## Casing

Unit casing is constructed of heavy gauge, G90 galvanized steel and painted with a weather-resistant powder paint on all louvers, panels, prepaint on all other panels. Corrosion and weather-proof CMBP-G30 DuraTuff™ base.

## Refrigerant Controls

Refrigeration system controls include condenser fan and compressor contactor. High and low pressure controls are inherent to the compressor. A factory installed liquid line drier is standard.

## Compressor

The DURATION™ compressor features internal over temperature and pressure protection and total dipped hermetic motor. Other features include: roto lock suction and discharge refrigerant connections, centrifugal oil pump and low vibration and noise.

## Condenser Coil

The outdoor coil provides low airflow resistance and efficient heat transfer. The coil is protected on all four sides by louvered panels.

## Low Ambient Cooling

As manufactured, this unit has a cooling capability to 55°F. The addition of an evaporator defrost control with TXV permits low ambient cooling to 20° F.

## Accessories

Thermostats — Cooling only and heat/cooling (manual and automatic change-over). Sub-base to match thermostat and locking thermostat cover.



ARI Standard  
210/240 UHP



*American Standard*  
HEATING & AIR CONDITIONING

American Standard Heating & Air Conditioning  
[www.americanstandardair.com](http://www.americanstandardair.com)

American Standard Heating & Air Conditioning has a policy of continuous product and product data improvement and it reserves the right to change design and specifications without notice.